

Geb Air and Dirt Separators

Air and dirt separators remove the air/oxygen and contaminants from the fluid circulating in the heating and cooling system.

GebVent Air Separator

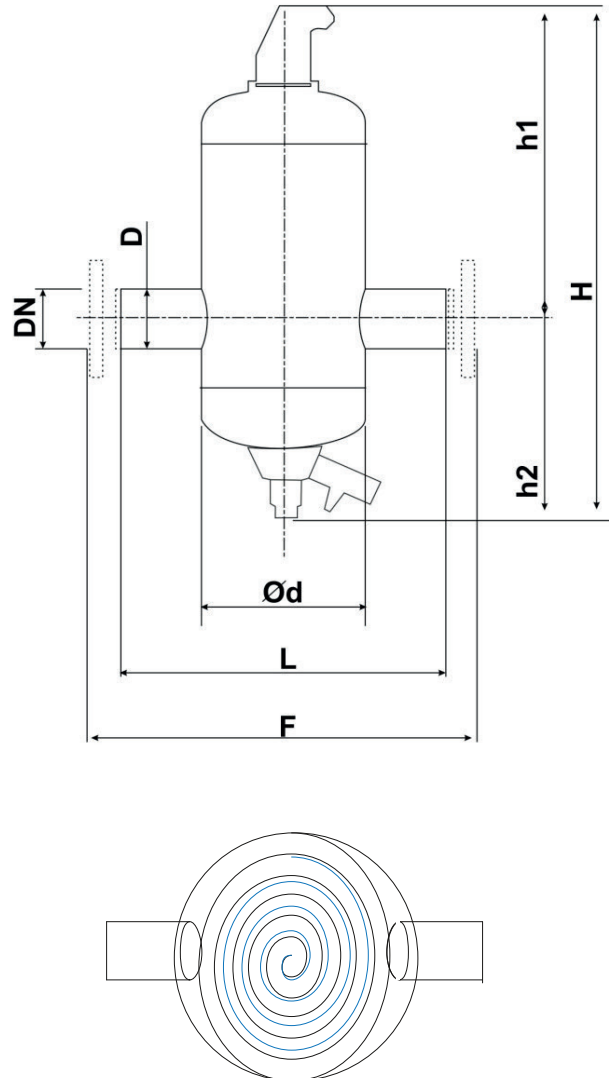
The GebVent Air air separator automatically removes air from water-circulating heating and cooling systems.

The net inside the separator collects the air and microbubbles together into a larger air bubble that rises to the top of the separator. The air bubble exits the separator via the automatic air vent valve at the top.

There is also a separate air vent at the top of the air separator that removes air from the network while filling it.

Technical Specifications

Pipe sizes	DN50-250
Operating temperature	0–120 °C
Pressure class	PN10
Strainer material	EN1.4301
Frame material	P235GH TC1/TC2
Welding couplings	P235GH TC1/TC2
Flanges	P235TR1



GebVent Air	GV1000B	GV1010B	GV1020B	GV1030B	GV1040B	GV1050B	GV1060B	GV1070B
Pipe size	DN50	DN65	DN80	DN100	DN125	DN150	DN200	DN250
D(mm)	60.3x2.9	76.1x2.9	88.9x3.2	114.3x3.6	139x4	168.3x4.5	219.1x4.5	273x5.0
H	540	540	690	690	860	860	1,040	1,360
Ød	168.3	168.3	219.1	219.1	324	324	406	508
L	260	260	370	370	500	500	650	750
F	350	350	470	470	610	610	770	850
h1	316	316	445	445	510	495	620	940
h2	224	224	235	235	350	365	420	420
Weight kg	11	11	20	20	43	43	61	171
Volume L	7.9	7.9	18	18	60	61	100	200

Warranty The GebVent air and dirt separators have a 2-year warranty.

GebVent Dirt Separator

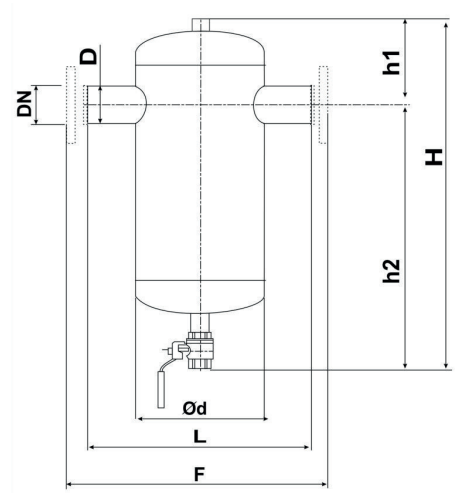
The GebVent Dirt separator is used in closed heating and cooling systems.

The use of a dirt separator protects the components of the heating system from damage caused by dirt.

Unlike strainers, the dirt separator removes the dirt from the system while it's running.

Technical Specifications

Pipe sizes	DN50-250
Operating temperature	0–120 °C
Pressure class	PN16
Strainer material	EN1.4301
Frame material	P235GH TC1/TC2
Welding couplings	P235GH TC1/TC2
Flanges	P235TR1



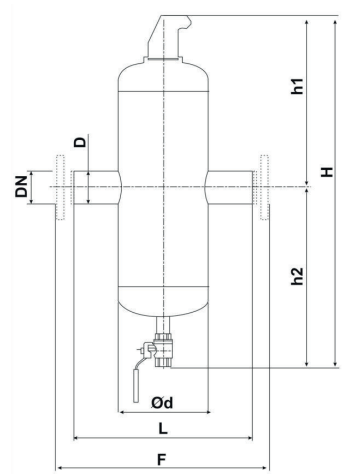
GebVent Dirt	GV1080B	GV1090B	GV1100B	GV1110B	GV1120B	GV1130B	GV1140B	GV1150B
Pipe size	DN50	DN65	DN80	DN100	DN125	DN150	DN200	DN250
D(mm)	60.3x2.9	76.1x2.9	88.9x3.2	114.3x3.6	139x4	168.3x4.5	219.1x4.5	273x5.3
H	554	554	584	584	750	750	1,200	1,200
Ød	168.3	168.3	219.1	219.1	324	324	324	508
L	369	369	417	417	500	500	500	750
F	459	459	517	517	610	610	610	850
h1	194	194	208	208	300	300	350	350
h2	360	360	376	376	450	450	850	850
Weight kg	14.5	14.5	25	25	45	46	60	170
Volume L	8.9	9	19	19.2	65	65	80	200

GebVent Air Dirt Separator

GebVent AirDirt is a combined air and dirt separator.

Technical Specifications

Pipe sizes	DN50-300
Operating temperature	0–120 °C
Pressure class	PN10
Strainer material	EN1.4301
Frame material	P235GH TC1/TC2
Welding couplings	P235GH TC1/TC2
Flanges	P235TR1



GebVent Air Dirt	GV1160B	GV1170B	GV1180B	GV1190B	GV1200B	GV1210B	GV1220B	GV1230B	GV1240B	GV1250B
Pipe size	DN50	DN65	DN80	DN100	DN125	DN150	DN200	DN250	DN300-short	DN300-long
D(mm)	60.3x2.9	76.1x2.9	88.9x3.2	114.3x3.6	139x4	168.3x4.5	219.1x6.3	273x6.3	323.9x7.1	323.9x7.1
H	916	916	946	946	1,140	1,140	1,330	1,700	1,700	2,020
Ød	168.3	168.3	219.1	219.1	324	324	406	508	508	610
L	369	369	417	417	500	500	660	750	750	850
F	459	459	517	521	610	610	760	850	850	1,005
h1	460	460	476	476	516	516	630	800	800	985
h2	456	456	470	470	625	625	700	900	900	1,035
Weight kg	18	18	31	31	80	80	125	230	230	470
Volume L	12	12	26	26	80	80	150	300	300	500