

# Gebwell heat pump accessories

## Installation set for ground source heat pump

The installation set was designed to facilitate and speed up the installation of Aries and Qi ground source heat pump.

### Installation set includes

- Expansion tank of 12l for collector
  - Safety valve for collector 2,5 bar
  - Filling group for heating circuit
  - Expansion tank of 12l for heating circuit
  - Safety valve for heating circuit 2,5 bar
  - Shut-off valve for heating circuit
  - Filter for heating circuit
  - Pressure meters for collector and heating circuit
  - Mixing valve for DHW
  - Safety valve for DHW 10 bar
  - Hanging hooks
- Manufactured in Finland
  - Reduces installation time considerably
  - A large part of the installation accessory ready
  - Collector pipes ready insulated
  - Ground circuit pre-pressurized
  - Speeds up the deaerating
  - Collector filling valve from DHW
  - Smart and neat finishing for installation
  - Installable onto the side of ground source heat pump or onto the wall beside the pump



Installation set

## Cooling supplies for installation set

Supplies for completing the installation set suitable for cooling:

Delivery contents:

- Cooling pump
- Shut-off valves in/out
- Non-return valve
- Control centre for cooling



Cooling accessories for installation set

## Heating pump extension for installation set

Supplies for completing the installation with an additional pump for heating circuit, especially for radiator heating systems.

Delivery contents:

- Circulation pump
- Non-return valve
- Connectors



Heating pump extension for installation set

Product	GTIN	Feasibility, GSHP	Weight, kg	Outer dimensions (d x b x h), mm
Installation set	6415853626156	Aries, Qi	22,0	340 x 540 x 870
Cooling supplies for installation set	6415853626163	Aries, Qi	5,8	-
Heating pump extension for installation set	6415853626170	Aries, Qi	3,6	-

## Gebwell cooling convector

Wall-mounted cooling convector is elegant by style and silent by operation.

Filters on the convector are washable and reusable and the convector is equipped with wireless remote control. The convector is suitable especially for domestic and office use.



- Elegant and silent
- Washable and reusable filters
- Equipped with wireless remote control
- On/Off timer
- For domestic and office use

Gebwell Cool		
<b>Cooling</b>		
Total cooling capacity	kW	2,49
Sensible cooling capacity	kW	1,81
Water flow	l/h	427
Pressure drops	kPa	28
<b>Heating</b>		
Heating capacity	kW	3,21
Water flow	l/h	427
Pressure drops	kPa	23
Air flow (max / med / min)	m <sup>3</sup> /h	500 / 370 / 290
Power supply	V / Ph / Hz	230V / 1Ph / 50 Hz
Pipe connections	G	½"
Sound pressure level (max / med / min)	dB(A)	37 / 30 / 26
<b>Dimensions</b>		
Height	mm	300
Width	mm	875
Depth	mm	220
Weight	kg	16

## Collector valve group

Valve group makes the filling and the venting of collector easy. In addition, the dirt filter removes the possible dirt particles in the liquid circulation.

Qi DN25, DN25 and DN32 collector valve group models include an expansion vessel through which the annual liquid checks can be done.

Valve group is insulated with a polystyrene box to prevent the formation of condensation water.

Valve group is meant as accessory for all Gebwell heat pumps.



Collector valve group Qi DN25



Collector valve group DN65-80

Collector valve group	GTIN	Feasibility, GSHP	Feasibility, kW	Expansion tank type, vol. l	Connections, GSHP	Connections, collector
Qi DN25	6415853619813	Aries, Qi	6-13	open, 5 l	1" male	Pipe conn. 1"
DN25	6415853619745	T <sup>2</sup>	6-13	open, 5 l	1" female	PEM 40
DN32	6415853619752	T <sup>2</sup>	16-30	open, 5 l	1¼" female	PEM 40
DN50	6415853619783	T <sup>2</sup> Gemini and Taurus	30-50	-	Flange 50	Flange DN50
DN65	6415853619790	T <sup>2</sup> Gemini and Taurus	85	-	Flange 65	Flange DN65
DN80	6415853619806	T <sup>2</sup> Gemini and Taurus	100	-	Flange 80	Flange DN80

## Circulation pump sets for domestic water

### Circulation pump set for domestic hot water circulation

The circulation pump set contains the water circulation pump, pump valve and line adjustment valve.

Circulation pump set for domestic water	GTIN 64158...	Circulation pump
Hot water circulation GSHP DN15	53623148	Grundfos Alpha 2 15-40 CIL
Hot water circulation GSHP DN20	53623155	Grundfos UPS 25-60N
Hot water circulation GSHP DN25	53623162	Grundfos UPS 25-60N
Hot water circulation GSHP DN32	53623179	Grundfos UPS 25-80N
Hot water circulation GSHP DN40	53623186	Grundfos UPS 25-80N



Hot water circulation GSHP DN20



Hot water circulation GSHP DN40

## DHW shunt

DHW shunt transfers heat from accumulator tank to heat domestic hot water.

DHW shunt includes a three-way valve and actuator as well as connectors, nuts and a sensor. DHW shunt and HEX includes heat exchanger, circulation pump, connectors and a sensor.

DHW shunt	GTIN 64158..	Circulation pump
DHW shunt 1 apartment	53623193	-
DHW shunt 2-3 apartments	53623209	-
DHW shunt 4-8 apartments	53623223	-
DHW shunt 9-30 apartments	53623230	-
DHW shunt 31> apartments	53623216	-
DHW shunt and HEX 1-4 apart.	53626187	Grundfos UPM Geo 25-85
DHW shunt and HEX 5-16 apart.	53626194	Grundfos Magna3 25-100
DHW shunt and HEX 17-32 apart.	53626200	Grundfos Magna3 40-120
DHW shunt and HEX 33-50 apart.	53626217	Grundfos Magna3 40-120
DHW shunt and HEX 51-100 apart.	53626224	Grundfos Magna3 40-120
DHW shunt and HEX 101-150 apart.	53626231	Grundfos Magna3 40-150



DHW shunt 4-8 apartments

## Heating control group

With heating control group the adjusting of heating network is easy

Connecting the heating control group to the heating network is easy and effortless. By connecting another control group to heat pump, you can heat damp spaces all-year round regardless of other spaces' heating needs.

Heating control group is meant as accessory for all Gebwell heat pumps.

### Control group includes

- Heating pump
- Shut-off valve
- Control valve with actuator
- Dirt filter
- Needed sensors, electric cables, hangers
- Wall mounting rails

- Reduces installation time
- Effortless connecting of the control group to the heating network
- Easy adjustment of the heating circuit by the heating control group



Heating control group Aries, Qi and LSR Si KV4



Heating control group LSR Si KV6.3-16



Heating control group LSR Si KV25

Heating control group	GTIN	Feasibility, heat pump	Feasibility, radiator heating, kW	Feasibility, floor heating, kW	Valve KVS value	Circulation pump
Heating control group Aries	6415853626125	Aries	1.5-7.5	1.5-7.5	4	Grundfos Alpha 2 15-60
Heating control group Qi	6415853619608	Qi	6-13	6-13	4	Grundfos Alpha 2 15-60
Heating control group KV4 R1-23 F1-6	6415853619820	T, Gemini & Taurus	1-23	1-6	4	Grundfos Alpha 2 15-60
Heating control group KV6,3 R23-45 F6-14	6415853619837	T, Gemini & Taurus	23-45	6-14	6.3	Grundfos Magna 1 25-80
Heating control group KV10 R45-70 F14-22	6415853619844	T, Gemini & Taurus	45-70	14-22	10	Grundfos Magna 1 25-80
Heating control group KV16 R70-110 F22-36	6415853619851	T, Gemini & Taurus	70-110	22-36	16	Grundfos Magna 1 25-80
Heating control group KV25 R110-180 F36-56	6415853619868	T, Gemini & Taurus	110-180	36-56	25	Grundfos Magna 3 32-120
Heating control group KV40 R180-240 F56-90	6415853619875	T, Gemini & Taurus	180-240	56-90	40	Grundfos Magna 3 32-120
Pump heating group 2m <sup>3</sup> /h - 3m	6415853619882	T, Gemini & Taurus				Grundfos Alpha 2 15-60
Pump heating group 6m <sup>3</sup> /h - 5,5m	6415853619899	T, Gemini & Taurus				Grundfos Magna 1 25-80
Pump heating group 12m <sup>3</sup> /h - 6m	6415853619905	T, Gemini & Taurus				Grundfos Magna 3 32-120



Pump heating group 2m<sup>3</sup>/h



Pump heating group 6m<sup>3</sup>/h

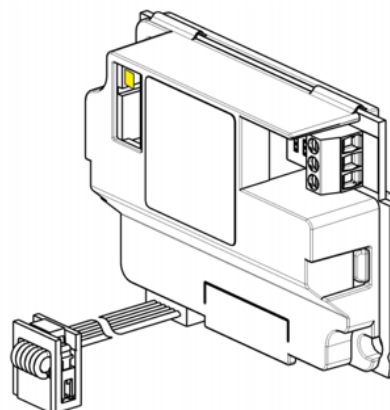


Pump heating group 12m<sup>3</sup>/h

## Modbus Clip MODBUS350

Modbus allows transferring data through the Modbus protocol from the controller of heat pump to the higher-level automation system

- Enables the controlling of the heat pump by building automation
- Each controller can have own Modbus Clip
- Gebwell delivers list of parameters for Modbus



## WebServer

By connecting OZW- SmartWeb and Internet, you can get a remote access to the ground source heat pump

- Possibility to regulate the heating of your home by mobile application
- Possibility to optimize the usage and to get additional services to your heat pump system
- Especially suitable for properties, which are not occupied permanently or for large properties to ensure operational reliability

### Different service packages

- Add-on enabling mere SmartWeb connection
- SmartWeb to a property equipped with fixed IP-address. Gebwell supports in setting and parameters set up
- SmartWeb and the router as well as Internet name service creation. Gebwell supports in setting and parameters set up

### Scalability

- One controller to the heat pump system
- 2-4 controllers to the heat pump system
- 5-16 controllers to the heat pump system



### Remote access via your smartphone

By Webserver and Siemens Home Control application, the heat pump can be used remotely via a smartphone.

## Energy measurement unit for the heat pumps ENEM

Verify your savings and measure the produced and consumed energy of heat pump system!

- Actual energy measurement
  - Based on actual flow and temperature difference, not just calculated estimation of energy consumption as some other energy measuring of heat pumps.
- Energy measurement data can be read from heat pump controller, or moved through the ModBus to building automation system
- Available for Aries, Qi, T<sup>2</sup> and GEMINI heat pumps
- Energy meters are installed inside the ground source heat pumps in factory

## Room sensor HA1

Especially recommended for the buildings with big internal heat loads, such as fireplaces or in a properties with need to notify the external heat sources (sun, people, household appliances)

- The room sensor is placed in a central location in the property to the main living space
- The room sensor is wired, which should be cabled to the heat pump

## Additional heat source control LVLLO1A – extension to the heat pump controller

- Enables the extension of T<sup>2</sup>, Gemini and Taurus pump systems by wood boiler or other heat source
- Smart control of additional source and heat pump system combination
  - Prioritization of the cheapest energy source (sun and wood heating)
  - Minimization of the most expensive (oil, natural gas)
- Installation and preliminary parameters set up are done on the factory

## Heating circuit controller extension LVLPO1A

All Gebwell heat pumps are able to control one pump heating circuit and one mixing valve heat circuit without additional accessories. When you need a second mixing valve circuit control, for example, to the temperature control of cooling circuit or another mixing valve circuit, you will need heating circuit control extension to the heat pump controller.

- Installation and preliminary parameters set up are done on the factory



## Control system LSJ2

You can lead the control panel of controller for example out of technical room. LSJ2 functions also as a room sensor, if needed.

